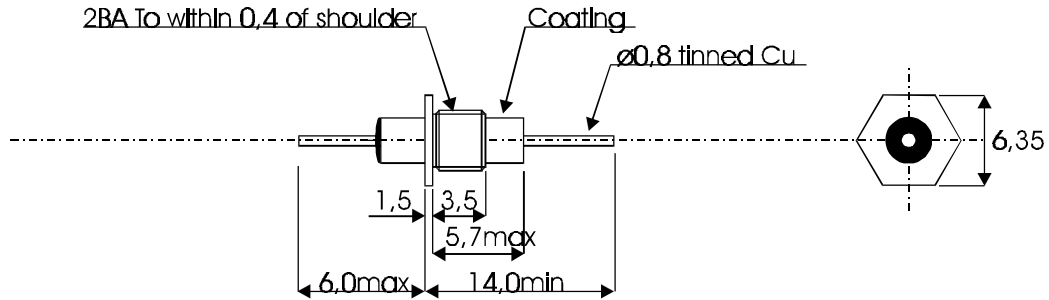


# FEEDTHROUGH CAPACITOR

17 SA 22

EMC Filters' Pt.No. 32813003S



|                            |                       |
|----------------------------|-----------------------|
| Working voltage.....       | 500Vdc                |
| Test voltage.....          | 1500Vdc 1min.         |
| Feed through current.....  | max 10A               |
| Insulation resistance..... | min $10^4$ M $\Omega$ |
| IEC category.....          | 55/085/56             |
| Capacitance.....           | 56pF $\pm$ 20%        |
| Class.....                 | 1B                    |

Addition: delivered together with a hexagonal nut, loose, 6,35mm

19/3-2001

## FERROPERM