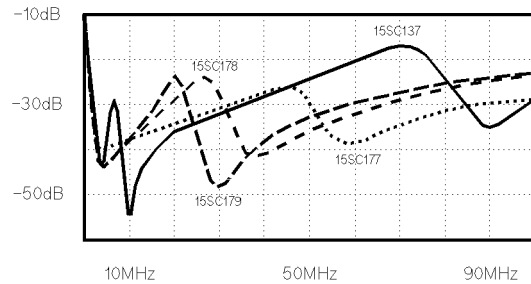
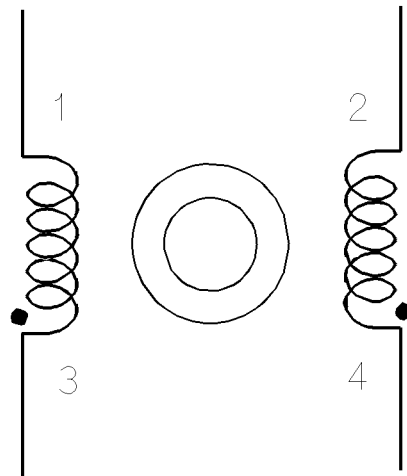
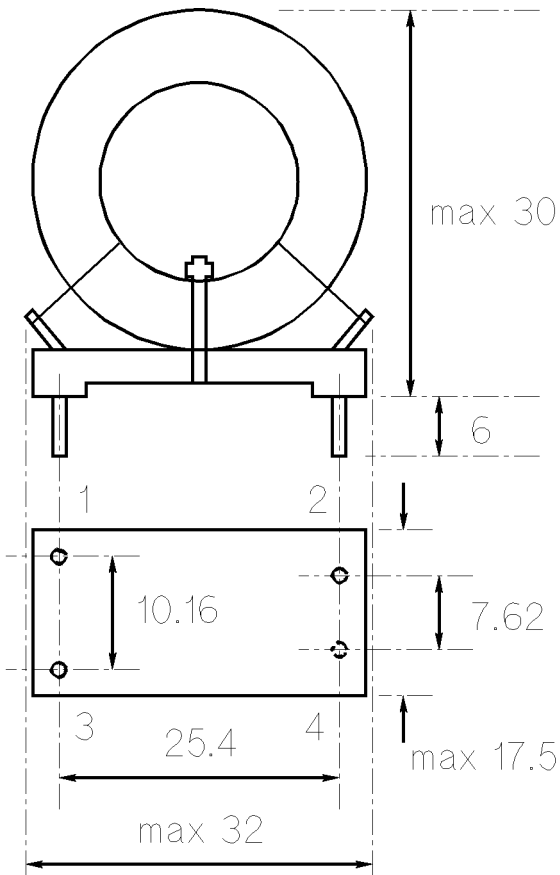


TYPES 15SC137, 177, 178, 179

COMMON MODE SUPPRESSION CHOKES



Typical Insertion loss v. Frequency (50 ohm system)

Type Number	Inductance (min.) mH	I max * A	Rdc Typ. m Ω
15 SC 137	10	2	150
15 SC 177	2.2	4	44
15 SC 178	1.1	6	21
15 SC 179	0.6	8	11

Insertion Loss up to 50 MHz > 20 dB typical
 Insertion Loss up to 1 GHz > 10 dB typical
 Insulation Test 3kV dc.
 Core Toroidal Ferrite
 Working Temperature -55°C to +85°C

To order these chokes please specify the type number.
 * For other temperatures use the "Load Ratings" curve 2 on page 17.

**Double Insulated
 common mode
 choke for
 interference
 suppression of
 incoming mains
 supplies.
 These chokes are
 sometimes called
 current compensated
 chokes.**

FERROPERM